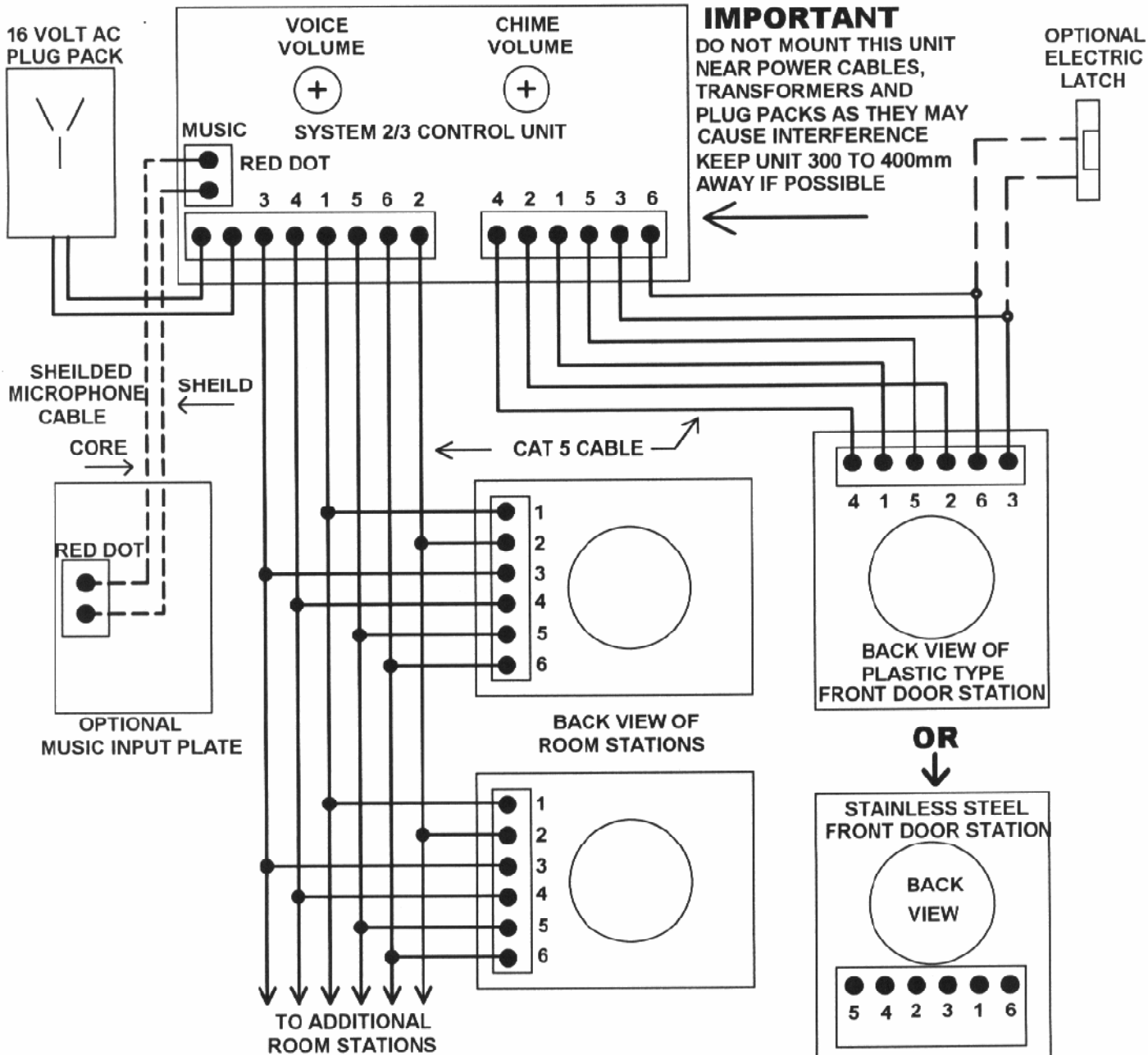


# GENIE SYSTEMS

## WIRING GUIDE FOR SYSTEM 3



- USE ONLY CAT 5 CABLE (OR 3 PAIR TWISTED TELEPHONE CABLE)
- SYSTEM WILL NOT OPERATE CORRECTLY WITH ANY OTHER CABLE
- ADHERE TO CABLE COLOURS AND CONNECTIONS AS PER TABLE BELOW
- KEEP CABLING AWAY FROM 240 VOLT WIRING

IF SUBSTITUTING STAINLESS STEEL FRONT DOOR STATION FOR STANDARD PLASTIC FRONT DOOR THEN STAINLESS STEEL INSTRUCTIONS MUST BE USED

TERMINAL NUMBER	1	2	3	4	5	6	FUTURE USE	FUTURE USE
CAT 5	BROWN WHITE	BROWN	ORANGE WHITE	ORANGE	BLUE WHITE	BLUE	GREEN WHITE	GREEN
3 PAIR	BLACK	RED	GREEN	ORANGE	WHITE	BLUE	●	●

FOR TECHNICAL ASSISTANCE PLEASE RING OUR SERVICING DEPARTMENT  
PLEASE HAVE WIRING DIAGRAM READY BEFORE CALLING  
PHONE 03 9544 6844